



Performance by Design

Product Catalogue



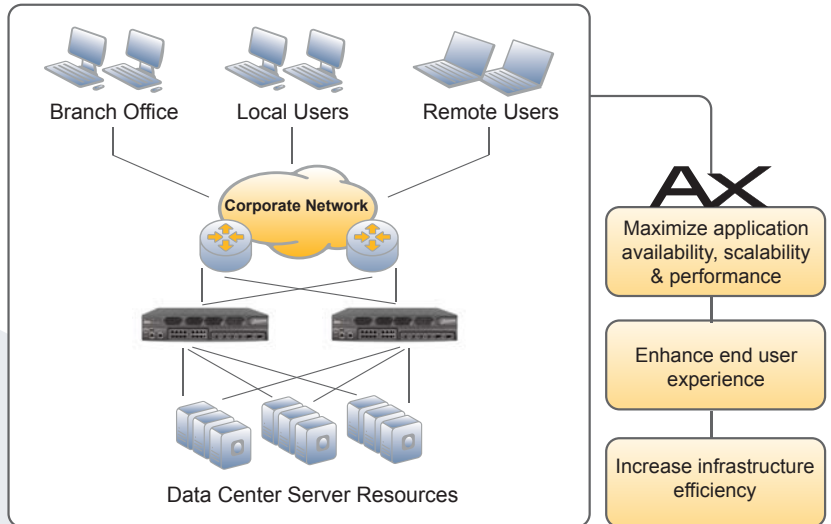
Your A10 Networks Reseller
www.altaware.com sales@altaware.com
(866) 833-4070

The AX Series – Advanced Traffic Manager Next-generation Server Load Balancer

Shift
Your
Applications
Into
High
Gear

A10 Networks' AX Series is the industry's best price/performance advanced traffic manager – helping all-size enterprises and ISPs maximize application availability through a high-performance and scalable application delivery platform. AX's revolutionary Advanced Core Operating System (ACOS) architecture allows it to linearly scale performance, spreading the traffic management work across all available CPUs and their cores, and farming out specialized work such as SSL and traffic distribution to ASICs and FPGAs. The end-result is a switch with uncompromised performance even when all features are turned on, which helps organizations reduce the power, server and rack space requirements in their datacenter.

The AX Series' aFlex advanced scripting technology provides policy creation tools to deliver rich traffic inspection and switching capabilities, helping organizations adapt to constantly evolving networks and applications, and future proof their investment. AX's ACOS architecture has garnered numerous prestigious awards in recognition of A10's innovations, including native support for multi-CPU, multi-core systems. Plus, all features are included in the standard list price.

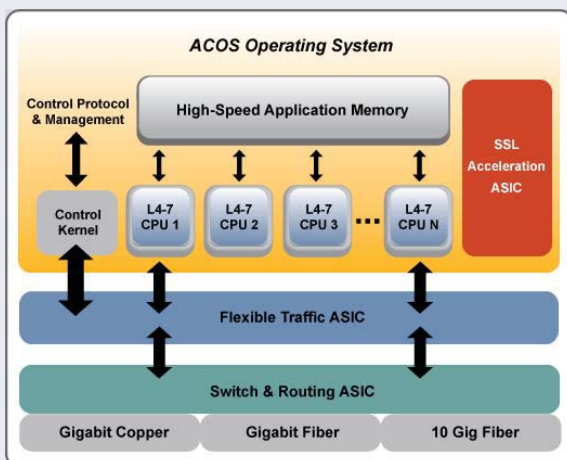


AX Series Key Benefits



Key Features

- Revolutionary Advanced Core Operating System (ACOS)
 - Leverages modern architectures
 - Tuned for multiple CPUs with multiple cores
- Industry's best SSL, RAM Cache, and Layer 4-7 price/performance – never sacrifice features for performance
- aFlex scripting language for flexible traffic management
- Supports IPv4 and IPv6
- Carrier-grade hardware components
- Increases transactions per watt and reduces power requirements



Advanced Core Operating System (ACOS)

Evenly distributes packets to the system's high-performance CPUs, Flexible Traffic ASIC, SSL acceleration module, and high-speed memory to eliminate the performance bottlenecks caused by one or more overloaded processors that commonly plague other solutions. With ACOS, network administrators can now prevent network traffic bottlenecks before they occur.

AX Series – Next-generation Server Load Balancer



AX 2000: Small/Medium Business and Enterprise
8 Gigabit Copper ports and 2 G SFP ports.



AX 3100: Enterprise/ISP
16 Gigabit Copper ports, 4 G SFP ports
and 2 XFP 10 Gig ports.



AX 2100: Enterprise
8 Gigabit Copper ports and 4 G SFP ports.



AX 3200: ISP/Carrier
16 Gigabit Copper ports, 4 G SFP ports
and 2 XFP 10 Gig ports.



AX 2200: Enterprise/ISP
16 Gigabit Copper ports and 4 G SFP ports.



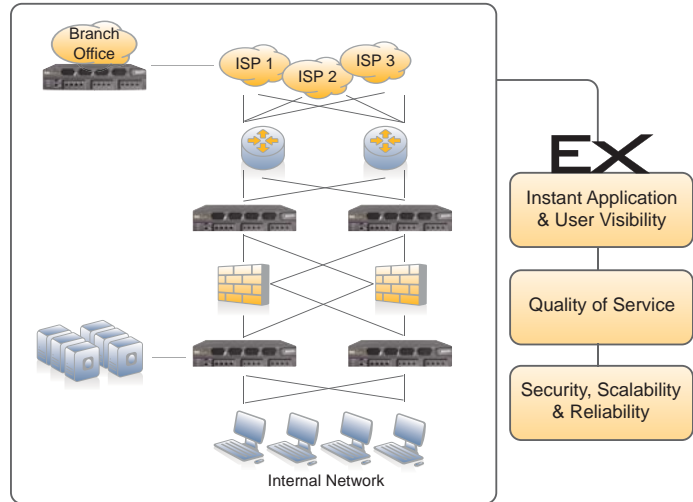
Twice the Performance at Half the Price

In recent independent third party tests by The Tolly Group, the AX Series is confirmed to deliver twice the performance at half the price of the market leader. Continuing a winning streak, the AX Series won Best of Interop Tokyo 08 in the “Carrier/Service Provider” category, Best of Interop Las Vegas 07 in the “Application Networks & Performance” category and Best of Interop Tokyo 07 in the “Network Infrastructure (middle range)” category. AX also won Server Load Balancer of the Year 2007 in *China Computer World*.

The EX Series – Bandwidth Management with User Identity

Manage
Bandwidth
With
Unprecedented
Visibility

A10 Networks' EX Series is the industry's only bandwidth management appliance with identity-based application visibility. It solves network challenges caused by limited bandwidth at the network edge, poor application performance, increased Internet and WAN activity, poor application and user visibility, and tough security and compliance mandates. With the EX Series, organizations can cost effectively maximize Internet and WAN performance, simplify network management, and gain unprecedented application and user visibility.



EX Series Key Features

To manage today's networks effectively, WAN visibility is essential to know "who" is doing "what" and "when" so that bandwidth provisions can be made for necessary applications. The EX Series provides identity and application-based bandwidth reporting capabilities with a wealth of edge acceleration technologies to eliminate bandwidth chokepoints, minimize single points of failure, and scale WAN and Internet connections.



Key Benefits

- Solves security, network and compliance issues rapidly with instant user and application identification
- Improves Internet response times
- Reduces bandwidth requirements
- Consolidates WAN and Internet bandwidth management
- Simplifies prioritization of business and non-business applications

Integration with ID Series' IP-to-ID Service for Instant User Identity Resolution

Type	Date/Time	User Name	App User Name	Source IP	Destination IP
yim/logoff	Oct 27 17:13:32	cparker	yardbird829	192.168.43.161	216.155.193.141
yim/logon	Oct 27 17:13:29	mtyner	bones1211	192.168.43.180	216.155.193.142
yim/logoff	Oct 27 14:01:40	srollins	sonny0907	192.168.43.165	216.155.193.174
yim/logon	Oct 27 13:59:07	srollins	sonny0907	192.168.43.165	216.155.193.174
msnim/logoff	Oct 27 10:01:26	dcherry	donc_msn1936	192.168.43.181	192.168.230.81
yim/logoff	Oct 27 10:01:13	dcherry	donc_yim1936	192.168.43.181	216.155.193.181
yim/logon	Oct 27 09:27:10	cparker	yardbird829	192.168.43.161	216.155.193.141
aim/logon	Oct 27 09:04:57	gevans	arranger1912	192.168.43.151	205.188.179.233
yim/logoff	Oct 27 08:48:09	tmonk	mrmonk	192.168.43.174	216.155.193.149
yim/logon	Oct 27 08:44:42	tmonk	mrmonk	192.168.43.174	216.155.193.149
yim/logoff	Oct 27 01:35:19	doshiba	doshiba	192.168.43.111	216.155.193.185

Combined with the award-winning IP-to-ID Service within A10's ID Series of network identity management appliances, the EX can generate identity-based reports to provide instant user identification for all traffic types. Without IDsentrie, the EX can natively track user identification for the most popular file transfer, email and instant messaging protocols, and provide reports on Internet use for over 100 applications.

EX Series – Bandwidth Management Appliance with Identity



EX 1000: SME/Enterprise

Includes P4 3.0GHz CPU with 1 MB cache, 128M of flash memory, 4 Gigabit Copper ports and a 160G hard drive.



EX 2100: Enterprise

Dual Xeon CPU, 128M of flash memory, 8 Gigabit Copper ports, 2 SFP ports and dual removable 160G or hard disks, RAID 1.



EX 2200: Enterprise/ISP

Dual Xeon CPU, 128M of flash memory, 12 Gigabit Copper ports and dual removable 160G or hard disks, RAID 1.

EX Series

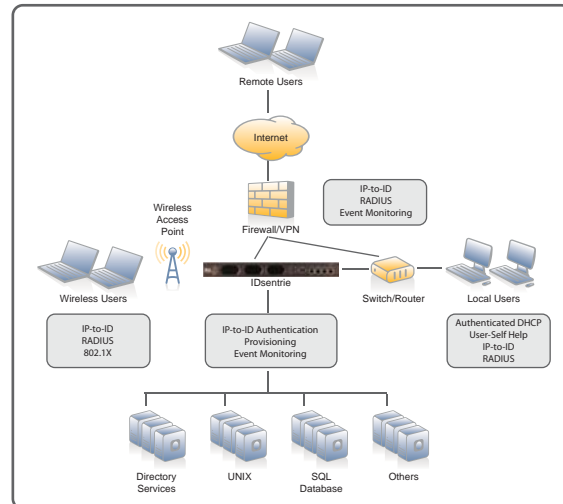
The ID Series – Network Identity Management

A10 Networks' ID Series includes the IDsentrie network identity management appliances and IDaccess authentication and guest access appliances.

Save
Hours
While
Resolving
Security
Issues

IDsentrie – Network Identity Management Appliances

IDsentrie is the industry's only network identity management appliance with instant user identity resolution (IP-to-ID). It solves challenges caused by disparate data stores, unsynchronized identity resources, untimely provisioning, account and password issues, unsanctioned network access, and poor user visibility. IDsentrie is built on a flexible, virtual directory model for rapid integration with existing network infrastructure.



Key Benefits

- Simplifies password and account management with User Self-Help Services
- Reduced help desk calls and improves user productivity
- Provisions guest accounts
- Provides instant user identity resolution for any IP or MAC address (IP-to-ID)
- Enhances network authentication and control

IDaccess – Network Authentication and Guest Access Appliance

IDaccess, based on the IDsentrie platform, integrates RADIUS, DHCP, Guest Access and A10's unique IP-to-ID Service. The IDaccess appliances support comprehensive authentication methods and a wide-array of back end servers. By combining authenticated DHCP with a guest access portal, network administrators are empowered with a powerful and flexible network management tool to support all network and guest authentication needs.

Key Benefits

- Centralizes authentication for both guests and employees
- Ensures guests can access only the resources they need
- Eases burden on IT administrators with a single solution for both internal and guest users
- Leverages existing infrastructure without costly and complex upgrades
- Easy to use guest management portal

ID Series – Network Identity Management Appliances



IDSentry 1000:
Supports up to 10,000 Users and 1,000 Devices
Includes 4 Ethernet ports and a 160G hard drive.



IDAccess 500:
Supports up to 3,000 Users and 100 Devices
Includes 4 Ethernet ports and a 160 (IDE) hard drive.



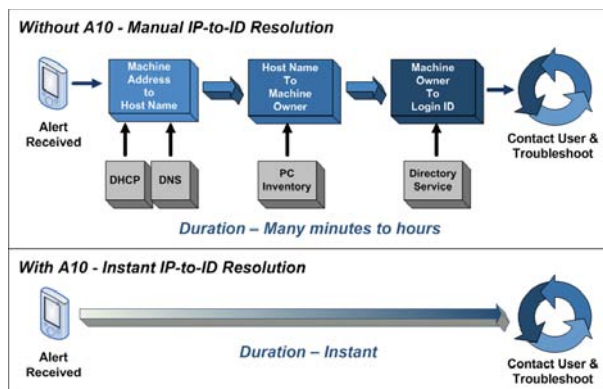
IDSentry 2000:
Supports up to 20,000 Users and 2,000 Devices
Includes 8 Ethernet ports, 2 SFP fiber ports and dual 160G hard drives, RAID 1.



IDAccess 800:
Supports up to 10,000 Users and 300 Devices
Includes 4 Ethernet ports and a 160 (SATA) hard drive.

IP-to-ID Service

The Internet Protocol to Identity (IP-to-ID) Service, included in the IDSentry and IDAccess appliances, is the industry's first technology that can resolve any IP or MAC address to a user identity instantly. With the award winning IP-to-ID Service, organizations can isolate and fix network and security issues much faster – and improve compliance reporting.



The IP-to-ID Service was named a “Top Ten Product for the Next-generation Datacenter” by NetworkWorld magazine – and IDSentry won Best of Interop Tokyo 2006 in the “Network Management” category.

AX Series:

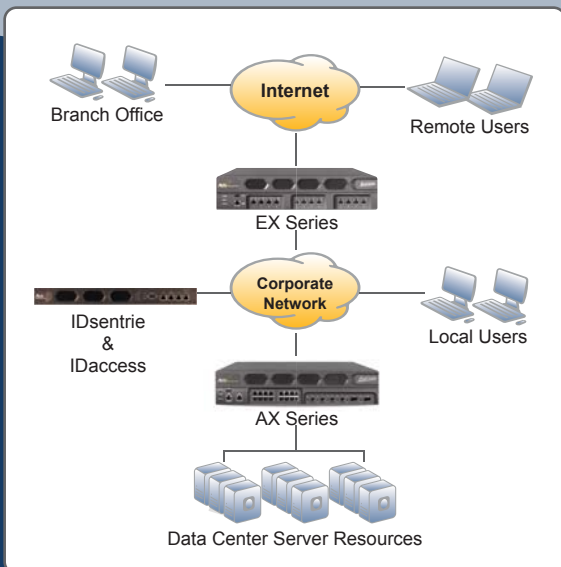
Advanced Traffic Management/
Next-generation Server Load Balancer

EX Series:

Bandwidth Management with Identity

ID Series:

Network Identity Management



Performance by Design

To learn more about the AX Series, EX Series, ID Series or A10 Networks, visit A10 Networks' web site at:

www.a10networks.com

Or call and talk to an A10 sales representative:

North America Sales: +1 888 A10-6363
+1 408 325-8616

China Sales: +86-10-85150698

Asia Pacific Sales: +886-2-2657-3198

Corporate Headquarters

A10 Networks, Inc.

**2309 Bering Drive
San Jose, CA 95131**

Tel: +1 408 325-8668

Fax: +1 408 325-8666



Your A10 Networks Reseller
www.altaware.com sales@altaware.com
(866) 833-4070

